

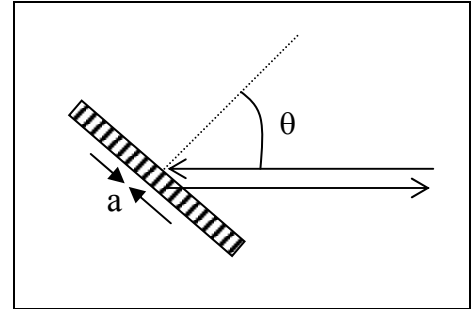
PHYC/ECE 463 Advanced Optics I
 Fall 2007
Homework #11, Due Wednesday Nov. 28

1. Interference (Grating)

(a) Obtain the angle of incidence θ at which a reflection grating (grating period = a) retro-reflects (reflects back) the m -th order of a monochromatic incident beam at wavelength λ_0 . (See figure below). *3 points*

(b) For a CO₂ laser at $\lambda_0=10.6 \mu\text{m}$, which of the following gratings is suitable for the above experiment: (1) 800 lines/mm, (2) 300 lines/mm, and (3) 50 lines/mm? Explain. What is (are) the order ($m \neq 0$) and the incidence angle(s) at which retro-reflection occurs? *4 points*

(c) In part (b), what is the highest resolution ($\Delta\lambda$) attainable if the CO₂ laser has a diameter of 1 cm? *3 points*



2. Interference (Fabry-Perot)

Light from an IR laser source ($\lambda=8-10 \mu\text{m}$) is incident on a Germanium parallel plane thin slab ($d=10 \mu\text{m}$, $n=4$) as shown.

(a) Plot the transmission versus wavelength (in the range of 8 to 10 μm) at normal incidence. Be quantitative and give values for T_{max} , T_{min} , Finesse, and $\Delta\lambda_{1/2}$ (assume high finesse for the latter) *(6 points)*

(b) Fix the wavelength at one of the transmission peaks. Can we rotate the sample by an amount $\Delta\theta$ such that the transmission becomes a minimum? Is this practical? *(4 points)* (Assume surface reflectivities remain constant)

